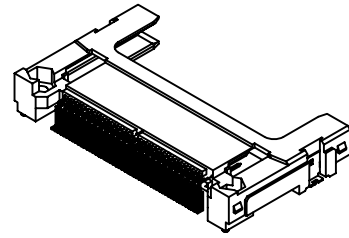
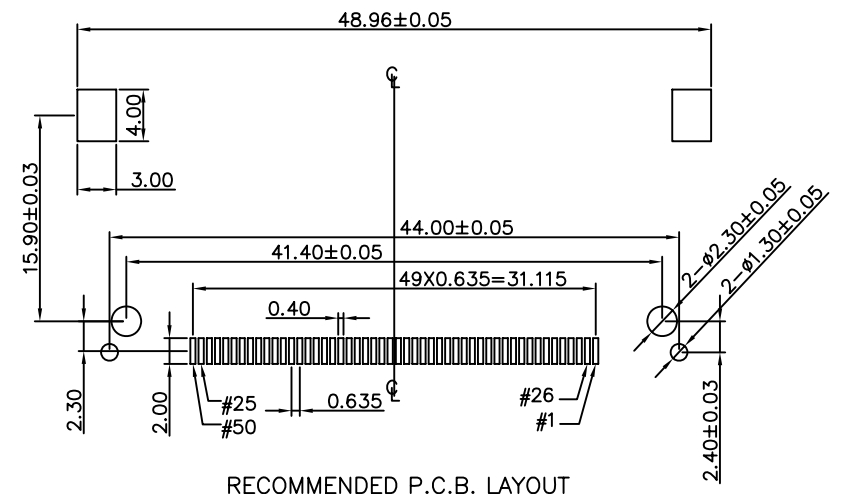
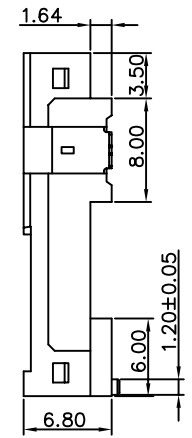
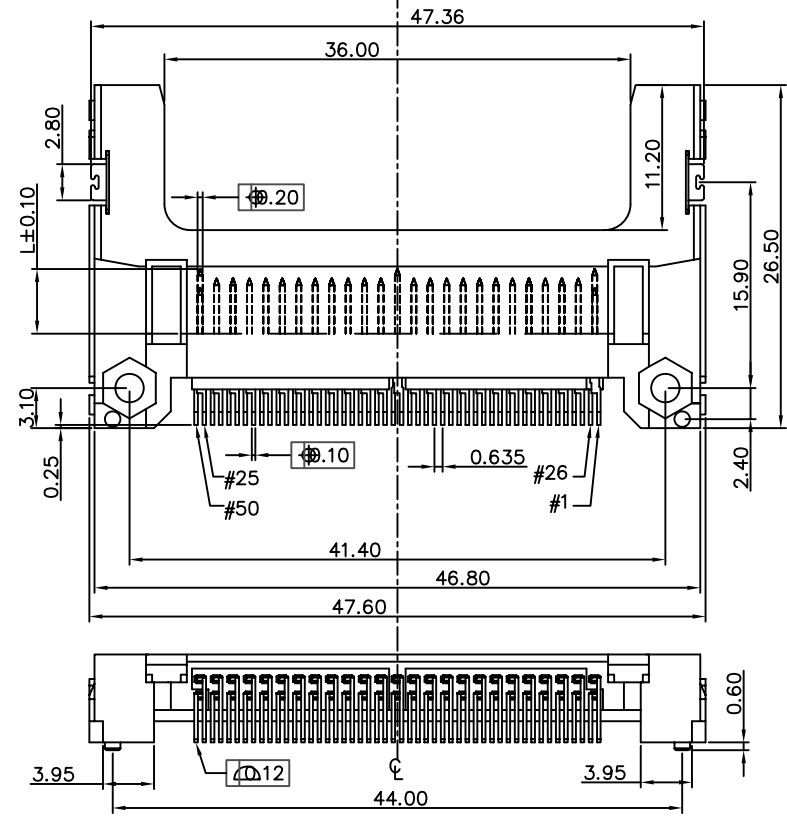
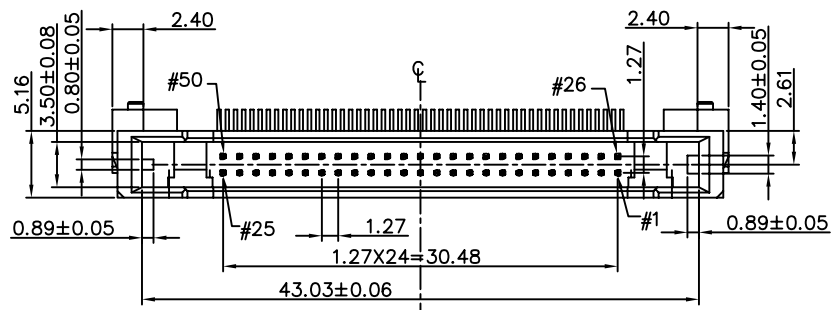


NOTES
 MATERIAL
 Insulator: Glass Reinforced LCP UL94V-0
 Contacts: Brass
 Mount ear: Brass; Tin/Lead plated overall
 CONTACT PLATING
 Contact area: Gold flash plating over 40u" Nickel
 Solder tail area: 100u" Tin/Lead plating over 40u" Nickel



CFC-PW44BE111-50-LF
 LEADFREE

RoHS Compliant



POWER	5.00mm	1,13,38,50
GENERAL	4.25mm	all other pins
DETECT	3.50mm	25,26
Pin type	Interface Dim. L	Pin No.

PART NO. CFC-PW44BE111-50		APPROVED BY CY		TOLERANCES ARE X. ± 0.3 XX. ± 0.2 XXX. AWG	DESCRIP TION: CFA TYPE 1 (STAND OFF 1.64mm) SLOT HEADER(STANDARD)	AREA	REVISIONS	HK	DATE
DWG NO. CFC-PW44BE111-50		DRAWING BY							
FILE NO.		PROJECTION							
UNIT / mm	SCALE 1:1								